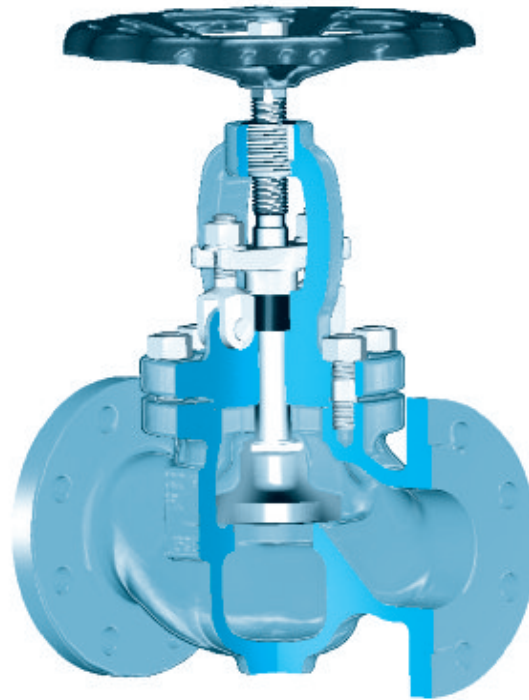


- **Globe valves** ▪ **Shut-off check valve** ▪ **200 AE/BE** ▪ **PN 10-160** ▪ **DN 65-200**
- **Globe valves** ▪ **Lift check valve** ▪ **240 MT** ▪ **PN 10-160** ▪ **DN 65-200**



### Range of application

Admissible operating pressure [bar] at design temperature [°C] <sup>1)</sup>

Material	PN	Admissible operating pressure [bar] at design temperature [°C] <sup>1)</sup>																					
		-200	-50	-10	20	100	120	150	200	250	300	350	400	425	450	475	500	510	520	530	540	550	
<b>1.0619</b>	<b>10-16</b>			16	16	16	16	15	14	13	11	10	8										
	<b>25</b>			25	25	25	25	23	22	20	17	16	13										
	<b>40</b>			40	40	40	40	37	35	32	28	24	21										
	<b>63</b>			63	63	63	63	53	50	45	40	36	32										
	<b>100</b>			100	100	100	100	83	80	70	60	56	50										
	<b>160</b> <sup>3)</sup>			160	160	160	160	135	130	112	96	90	80										
<b>1.5419</b>	<b>10</b>			10	10	9	9	9	8	7	7	7	6	6	6	6	3	3	2	2			
	<b>25</b>			25	25	23	23	22	20	19	17	16	16	16	15	15	9	7	6	4			
	<b>40</b>			40	40	36	36	35	31	29	27	26	25	24	24	23	14	11	9	7			
	<b>63</b>			63	63	59	59	58	51	48	45	42	41	40	39	38	22	18	14	12			
	<b>100</b>			100	100	92	92	90	80	74	69	65	63	62	61	59	35	28	22	18			
	<b>160</b> <sup>3)</sup>			160	160	148	148	143	128	119	111	104	101	100	98	94	55	44	35	29			
<b>1.7219</b>	<b>10-16</b> <sup>2)</sup>			16	16	16	16	15,1	15	14	13	11											
	<b>25</b> <sup>2)</sup>			25	25	25	25	23,6	23	22	20	17											
	<b>40</b> <sup>2)</sup>			40	40	40	40	37,7	37	35	32	28											
	<b>63</b> <sup>2)</sup>			63	63	63	55	54	53	50	45	40											
	<b>100</b> <sup>2)</sup>			100	100	100	87	84	83	80	70	60											
	<b>160</b> <sup>2)</sup>			160	160	160	140	136	135	130	112	96											
<b>1.7357</b>	<b>10-16</b>			16	16	16	16	15	14	13	11	10	8										
	<b>25</b>			25	25	25	25	25	25	25	25	24	23	22	21	20	18	15	12	9			
	<b>40</b>			40	40	40	40	40	40	40	40	38	36	35	34	33	29	24	19	15			
	<b>63</b>			63	63	63	63	63	63	63	63	61	58	57	56	51	47	40	32	25			
	<b>100</b> <sup>4)</sup>			100	100	100	100	100	100	100	100	95	91	89	87	80	74	62	49	38			
<b>1.4308</b>	<b>10-16</b>	16	16	16	16	13	12,6	12	11	8	8												
	<b>25</b>	25	25	25	25	21	19,8	18	17	13	12												
	<b>40</b>	40	40	40	40	34	32,4	30	24	21	20												
<b>1.4581</b>	<b>10-16</b>			16	16	15	14,6	14	13	13	12	12	11	10	8	7,5	7	7	7	7	7	7	6,5
	<b>25</b>			25	25	24	23,2	22	21	20	19	18	17	16	13	12,5	12	11	11	11	11	11	11,0
	<b>40</b>			40	40	38	36,8	35	33	32	30	28	26	24	21	20,0	19	19	19	19	19	18	18,0

1) Operating temperature = design temperature minus temperature surcharge acc. to DIN regulations.

2) At temperature > 50° C only applicable for short-time service.

3) PN 160 is only valid for DN 65-100.

4) Only for globe valves DN 65-80; for lift check valves DN 65-125.

- **Globe valves** ▪ Shut-off check valve ▪ 200 AE/BE ▪ PN 10-160 ▪ DN 65-200
- **Globe valves** ▪ Lift check valve ▪ 240 MT ▪ PN 10-160 ▪ DN 65-200

#### Standard features

- Straight bonnet
- Cast steel body and bonnet
- Shut-off disc, Fig.No. 200 AE
- Throttle disc, Fig.No. 200 BE
- Turning and rising stem with outside screw
- Position indicator if required

#### Pressure and temperature ratings

- Pressure rating SW up to 160 bar
- Pressure rating BW-Ends up to 160 bar
- Temperature rating up to +550° C

#### Materials

- 1.0619
- 1.5419
- 1.7219
- 1.7357
- 1.4581
- 1.4308

Further materials on request

#### Media

Depending on the material the globe valve are suitable for water, gas, oil and other non aggressive media

#### Fields of application

Chemical industries, power plant, ship building and other

#### Design Highlights

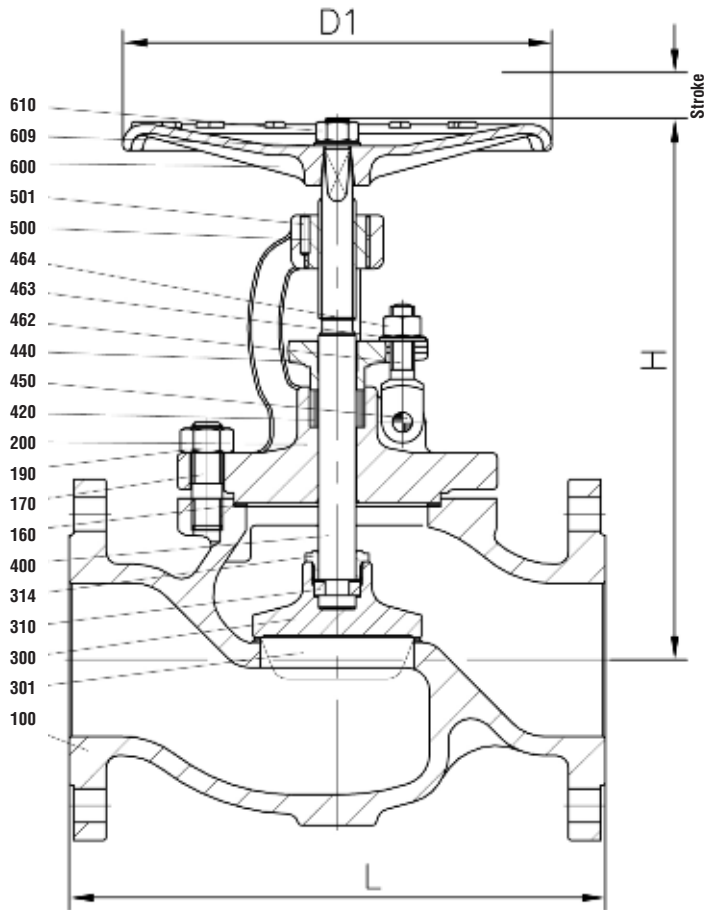
- Seats are welded on
- Body-bonnet connection male and female
- Body and bonnet in two pieces with bolted connection

#### Benefits

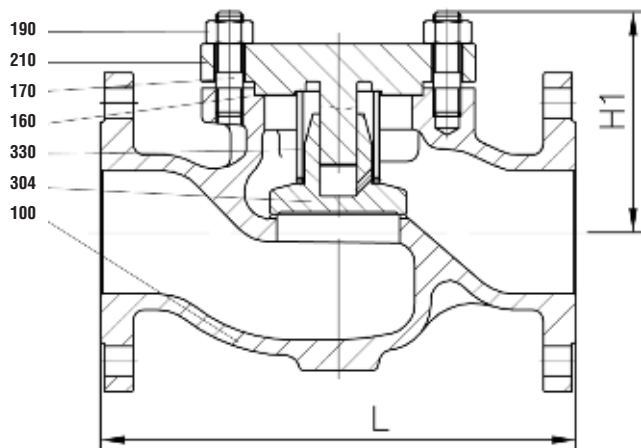
- Extremely resistant to wear
- Sealing blow out proof
- To ease maintenance work, e.g. regrinding of the body seats

- **Globe valves** ▪ Shut-off check valve ▪ 200 AE/BE ▪ PN 10-160 ▪ DN 65-200
- **Globe valves** ▪ Lift check valve ▪ 240 MT ▪ PN 10-160 ▪ DN 65-200

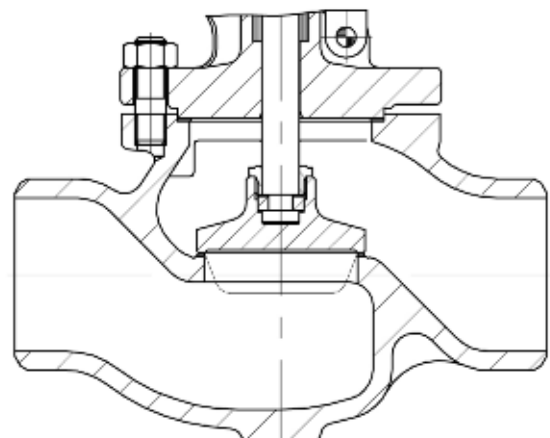
**Shut-off check valve**



**Lift check valve**



**BW-Version**



- **Globe valves** ▪ **Shut-off check valve** ▪ **200 AE/BE** ▪ **PN 10-160** ▪ **DN 65-200**
- **Globe valves** ▪ **Lift check valve** ▪ **240 MT** ▪ **PN 10-160** ▪ **DN 65-200**

Materials							
Pos.	Component	1.0619 (11)	1.5419 (32)	1.7219 (31)	1.7357 (34)	1.4581 (72)	1.4308 (77)
100	Body	1.0619 <sup>4)</sup>	1.5419 <sup>5)</sup>	1.7219 <sup>4)</sup>	1.7357 <sup>5)</sup>	1.4581 <sup>9)</sup>	1.4308 <sup>9)</sup>
160	▶ Gasket	Graphite	Graphite	Graphite	Graphite	Teflon	Graphite
170	Stud <sup>1)</sup>	1.1181	1.7709	A4-70	1.7709	A4-70	A4-70
170	Stud <sup>2)</sup>	1.7709	1.4923	A4-70	1.4923	-	-
190	Hexagonal nut <sup>1)</sup>	1.1181	1.7258	A4-70	1.7258	A4-70	A4-70
190	Hexagonal nut <sup>2)</sup>	1.7258	1.7258	A4-70	1.7258	-	-
200	Bonnet	1.0619	1.7357	1.7219	1.7357	1.4581	1.4308
210	Bonnet	1.0460	1.7335	1.0566	1.7335	1.4571	1.4571
300	▶ Disc	1.4021 <sup>3)</sup>	1.7335 <sup>5)</sup>	1.0566 <sup>4)</sup>	1.7335 <sup>5)</sup>	1.4571 <sup>8)</sup>	1.4571 <sup>8)</sup>
301	▶ Throttle disc	1.4021 <sup>3)</sup>	1.7335 <sup>5)</sup>	1.0566 <sup>4)</sup>	1.7335 <sup>5)</sup>	1.4571 <sup>8)</sup>	1.4571 <sup>8)</sup>
304	▶ Disc	1.0460 <sup>3)</sup>	1.7335 <sup>5)</sup>	1.0566 <sup>4)</sup>	1.7335 <sup>5)</sup>	1.4571 <sup>8)</sup>	1.4571 <sup>8)</sup>
310	▶ Filling piece	1.0035	1.0035	1.0035	1.0035	1.4571	1.4571
314	▶ Disc nut	1.0050	1.0050	1.0050	1.0050	1.4571	1.4571
330	▶ Spring	1.4310	1.4310	1.4310	1.4310	1.4571	1.4571
400	▶ Stem	1.4021	1.4021	1.4571	1.4021	1.4571	1.4571
420	▶ Packing	Graphite	Graphite	Graphite	Graphite	Teflon	Graphite
440	Gland flange	1.0460	1.0460	1.4571	1.0460	1.4571	1.4571
450	Rivet	1.1181	1.1181	A4-50	1.1181	A4-50	A4-50
462	Gland bolt	1.1181	1.1181	1.4571	1.1181	1.4571	1.4571
463	Washer	St	St	A4-50	St	A4-50	A4-50
464	Hexagonal nut	1.1181	1.1181	A4-70	1.1181	A4-70	A4-70
500	▶ Stem nut	1.0718	1.0718	1.0718	1.0718	1.0718	1.0718
501	▶ Cylindrical pin	St	St	St	St	St	St
600	Handwheel	0.7040	0.7040	0.7040	0.7040	0.7040	0.7040
609	Washer	St	St	St	St	A4-50	A4-50
610	Hexagonal nut	1.1181	1.1181	1.1181	1.1181	A4-70	A4-70
▶ Spare parts							
Special materials on request; alterations reserved.							
1) PN 10-40		4) Seat hard faced with Cr17			9) ≥ PN 63 seat hard faced with hastelloy		
2) PN 63-160		5) Seat hard faced with stellite					
3) Seat hard faced ≥ DN 125, 1.0460 Seat hard faced with Cr17		8) ≥ PN 63 seat hard faced with stellite					

Dimensions/mm							
PN	DN	Flange L	BW-Ends L		HStroke	H1	D1
			L	L			
<b>10-40</b>	65	290	290	310	22	105	225
	80	310	310	360	25	115	280
	100	350	350	400	30	140	280
	125	400	400	465	40	145	360
	150	480	480	530	50	170	360
	200	600	600	575	65	240	450

PN	DN	Flange L	BW-Ends L		HStroke	H1	D1
			L	L			
<b>63-160</b>	65	340	340	360	22	120	280
	80	380	380	400	25	145	280
	100	430	430	410	30	165	360
<b>63</b>	125	500	500	535	40	210	360
	150	550	550	555	50	235	450
<b>100</b>	125	500	500	535	40	210	360
	150	550	550	555	50	235	450

Weights/kg									
DN	200 AE/BE								
	PN 10-16 FL	PN 25-40 FL	PN 10-40 BW	PN 63 FL	PN 63 BW	PN 100 FL	PN 100 BW	PN 160 FL	PN 160 BW
<b>65</b>	27,5	27,5	16,0	34,0	24,0	34,0	24,0	39,0	24,0
<b>80</b>	37,0	37,0	28,0	47,0	36,0	47,0	36,0	51,0	36,0
<b>100</b>	52,0	53,0	41,0	72,0	56,0	72,0	56,0	80,0	56,0
<b>125</b>	69,0	69,0	55,0	117,0	93,0	120,0	93,0		
<b>150</b>	103,0	110,5	97,0	160,0	125,0	166,0	125,0		
<b>200</b>	171,0	175,0	156,0						

DN	240 MT								
	PN 10-16 FL	PN 25-40 FL	PN 10-40 BW	PN 63 FL	PN 63 BW	PN 100 FL	PN 100 BW	PN 160 FL	PN 160 BW
<b>65</b>	18,5	18,5	11,5	29,0	13,0	29,0	13,0	33,0	13,0
<b>80</b>	29,6	29,6	20,4	42,0	23,0	42,0	23,0	46,0	23,0
<b>100</b>	35,4	35,4	29,0	63,0	38,0	63,0	38,0	71,0	38,0
<b>125</b>	58,0	58,0	40,0	101,0	78,0	106,0	78,0		
<b>150</b>	80,0	80,0	65,0	145,0	110,0	150,0	110,0		
<b>200</b>	145,0	160,0	148,0						

Kvs-values (m3/h)						
Line	DN 65	DN 80	DN 100	DN 125	DN 150	DN 200
	PN 10-160	PN 10-160	PN 10-160	PN 10-160	PN 10-160	PN 10-40
<b>200 AE</b>	71,0	122,0	162,0	260,0	370,0	660,0
<b>200 BE</b>	61,5	78,0	104,0	171,0	250,0	422,0
<b>240 MT</b>	72,1	105,9	171,6	263,0	374,0	688,0

The valves are also available in angle pattern up to DN 100 nominal sizes > DN 200 on request.

Permissible differential pressure (pressure inlet below the disc) acc. to EN 13709. **DN** 65 80 100 125 150 200 **BAR** 110 70 44 33 21 14