

Fig No: **V-105**

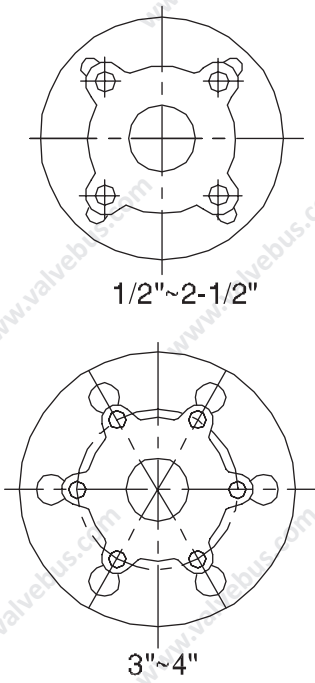
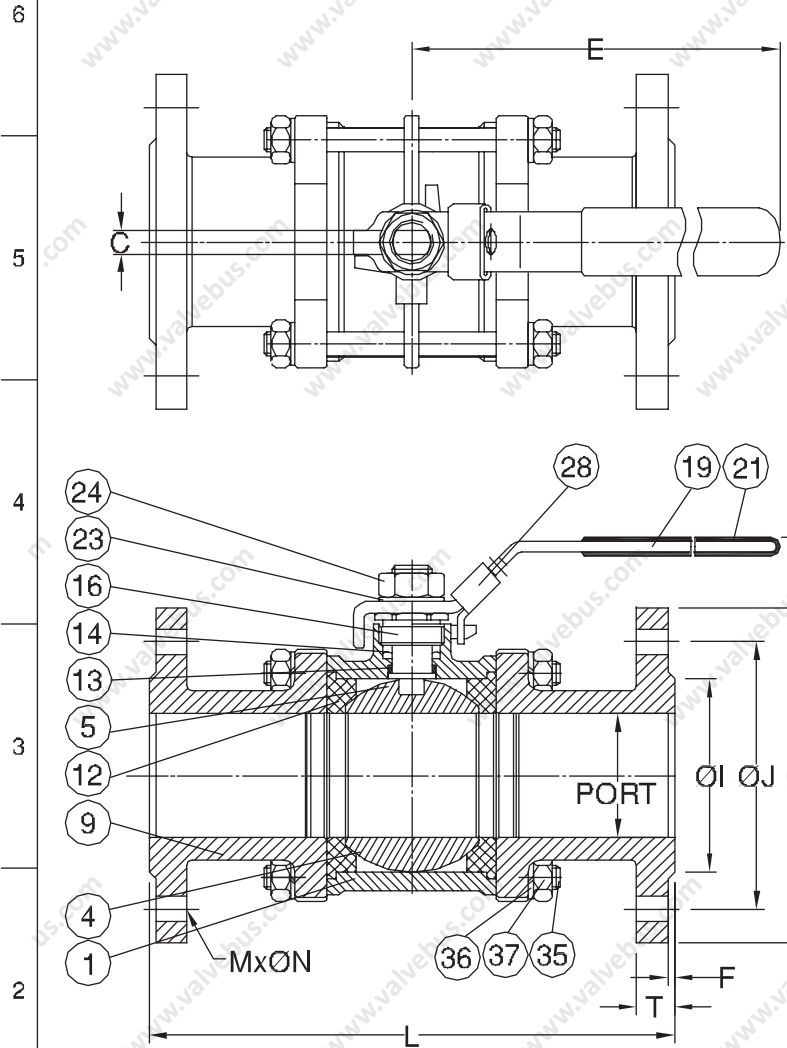
MATERIALS LIST

NO.	PART NAME	MATERIAL
1	BODY	1.4408 / EN1503-1
4	BALL	CF8M / EN1503-2
5	STEM	SS316
9	END CAP	1.4408 / EN1503-1
12	SEAT	PTFE.
13	THRUST WASHER	PTFE.
14	STEM PACKING	PTFE.
16	GLAND NUT	SS304
19	HANDLE	SS304
21	HANDLE COVER	PLASTIC
23	HANDLE WASHER	SS304
24	HANDLE NUT	SS304
28	LOCKING DEVICE	SS304 (OPTION)
35	BODY BOLT	SS304
36	BOLT WASHER	SS304
37	BOLT NUT	SS304

DIMENSIONS

unit:mm

SIZE	PORT	L	E	H	C	ØG	ØJ	ØI	T	F	M	ØN
DN15	1/2"	15.0	130.0	122.9	88.0	5.0	95.0	65.0	45.0	16.0	2.0	4
DN20	3/4"	20.0	150.0	122.9	91.0	5.0	105.0	75.0	58.0	18.0	2.0	4
DN25	1"	25.0	160.0	144.9	104.0	8.0	115.0	85.0	68.0	18.0	2.0	4
DN32	1-1/4"	32.0	180.0	144.9	108.0	8.0	140.0	100.0	78.0	18.0	2.0	4
DN40	1-1/2"	38.0	200.0	188.9	121.0	10.0	150.0	110.0	88.0	18.0	3.0	4
DN50	2"	50.0	230.0	188.9	129.0	10.0	165.0	125.0	102.0	20.0	3.0	4
DN65	2-1/2"	65.0	290.0	255.3	152.0	10.0	185.0	145.0	122.0	22.0	3.0	8
DN80	3"	80.0	310.0	260.8	160.0	12.0	200.0	160.0	138.0	24.0	3.0	8
DN100	4"	100.0	350.0	322.2	174.0	16.0	235.0	190.0	162.0	27.0	3.0	8



F TO F LENGTH: DIN 3202F1

CODE	P-005		APPROVED BY.	CHECK BY.	DRAWN BY.	DRAWING NO.	MATERIAL	UNIT	DESCRIPTION
	SIGN	TONY	MICHAEL	SAYA	V-105-P005		MATERIALS LIST	mm	THREE PIECES BALL VALVES, FLANGED END, FULL BORE, PN 40
	DATE	03/17/2009	03/17/2009	03/17/2009	REVISION	02	SCALE	FREE	